

## TECHNICAL DATASHEET – 501508E



Electrothermally controlled servomotor with regulation for heating and cooling systems with radiant panels and radiators.

### PLUS

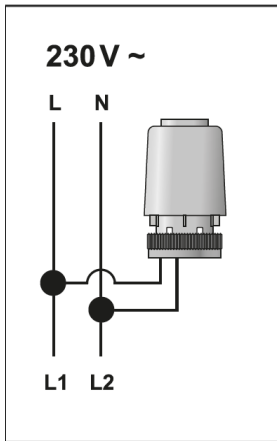
- Limited width, only 33 mm, suitable for limited spaces
- Quality verified according to IEC 60730-2-13
- Durability and reliability due to the high quality of the material "Made in EU"
- Protection class IP42 according to EN 60529
- Energy efficiency for low energy consumption
- Simple installation without tools
- Clearly visible indicator
- **Normally closed "NC"**

### TECHNICAL SPECIFICATIONS

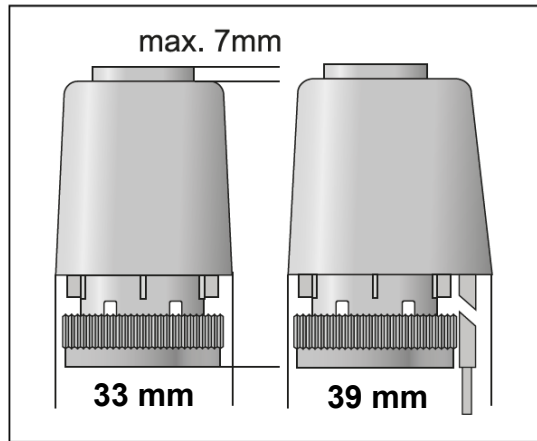
Versions	230 V
Nominal value	100 N
Stroke	5 mm
Initial setting	Normally closed "NC"
Width	33 mm
Connections	M30 x 1.5
Rumorosity	Low-level
Connection cable	2 x 0.75 mm <sup>2</sup>
Tension	230 V AC +10%.....-10% (50 Hz - 60 Hz)
Consumption	1.2 W
Switch-on current	300 mA 230 V

Full-load current	8 mA 230 V
Opening/closing time	240 s for 3 mm
Maximum operating temperature	100 °C
Maximum room temperature	60 °C
Storage temperature	-25 – 60 °C
Protection class	II
CE compliance	EN 60730
Body material	PE
Overvoltage resistance	Min 2500 V – EN 60730-1

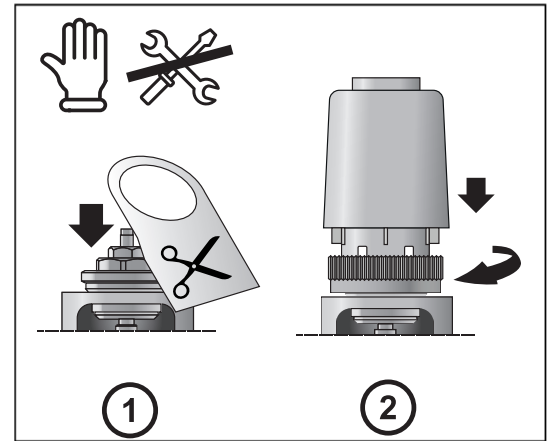
## FURTHER TECHNICAL INFORMATION



**WIRING  
CONNECTIONS**



**DIMENSIONS**



**INSTALLATION**

## SPECIFICATION SUMMARY

Normally closed 2-wire electrothermal head with position indicator. Compatible with all IVAR thermostatic screws and manifolds with centre distance  $\geq 40$  mm. Clip mounting. Body: PE. Can be mounted horizontally, vertically and upside down. Adjustment: ON/OFF. Power supply: 230 V AC. Inrush current: 300 mA. Inrush current: 8 mA. Operating power: 1.2 W. Degree of protection: IP 42. Maximum ambient temperature: 60 °C. Opening/closing time: 240 s for 3 mm. Cable length: 1 m. Size: M30x1,5.

## PRODUCT CODES

501508E: Normally closed electrothermal head (2 wires) with IVAR logo. Compatible with all IVAR thermostaticated screws and manifolds with centre distance  $\geq 40$  mm.